



Technology Solutions

TEK-BAR 3120B

Single Pressure Transmitter



PRESSURE



Introduction

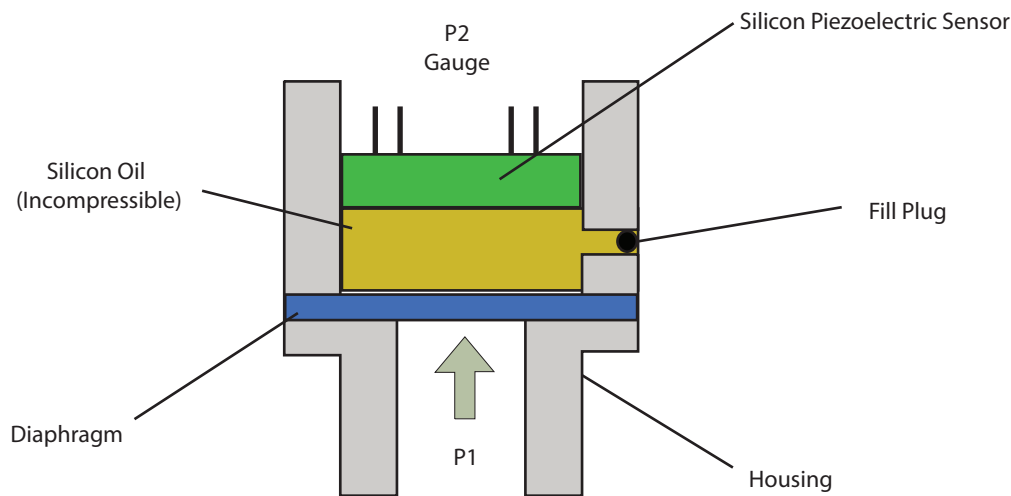
Tek-Bar 3120B Monosilicon Single Pressure Transmitter uses the world's advance silicon pressure sensor technology and state of the art encapsulation technology. This is a high performance pressure transmitter with HART communication protocol and is used to measure gauge pressure. It is used to measure liquid, gas, or steam flow as well as liquid level and density of medium. It has a high accuracy of up to 0.075% of URL and has IP67 water-proof protection.

Measuring Principle

The Tek-Bar 3120B works on the principle of mono silicon technology. The pressure sensor of the transmitter is located on the top of the metal body, away from the service fluid. This enables mechanical and thermal isolation of the sensor from the fluid in service.

When pressure is applied on the diaphragm and the silicon piezoelectric sensor, they become stressed and undergo a change in voltage resistance. This change in resistance is directly proportional to the applied pressure, which is transferred to the transmitter body using lead wires.

Built on semiconductor technology, the resistance change (piezoelectric effect) is notably higher than exhibited in standard strain gauges. Therefore, the sensitivity of mono-crystalline sensors is higher than the sensitivity of most other types.



Benefits

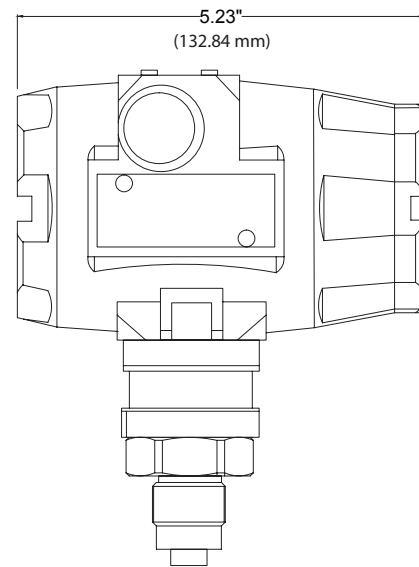
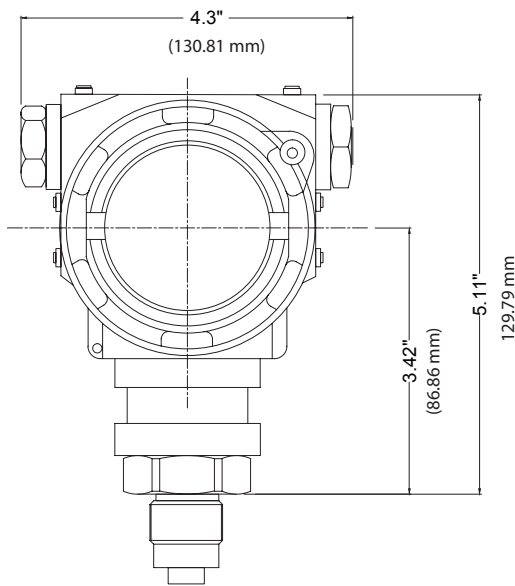
- Digital communication HART protocol
- High accuracy up to $\pm 0.075\%$
- Various Output: 4-20 mA, digital signals
- Multiple temperature and linearity compensation to improve accuracy
- Fully-sealed and fully isolated silicon pressure sensor
- Superior stainless steel process flange
- Dual diaphragm overload protection, can easily cope with overload tests
- 355° rotation display module

Applications

- Water and Waste Water Industry
- Pulp and Paper Industry
- Food Processing Industry

Dimensional Drawing

Drawing and dimension with display



Specifications

Pressure types	Gauge pressure
Measuring range	5.8 psig to 5800 psig
Output Signal	4-20mA with HART
Reference accuracy	±0.1% URL, optional ±0.075%URL
Stability	±0.2% URL/ 5 years
Ambient temperature effect	-4 °F to 176 °F (-20 °C to 80 °C)
Weight	About 3.43 lb (without mounting brackets and process connection accessory)
Insulation resistance	≥20 M Ω at 100 VDC
Mounting position effect	Apply to any position. Max value lower than 1.6 w.c. (400 Pa) can be corrected by zero clearing function.

Damping Time

Damping time of amplifier	0-100 s adjustable
Diaphragm capsule (isolated diaphragm and silicon oil filling) damping time	≤0.2 s
Start-up after power off	≤6 s
Normal services after data recovery	≤31 s

Environmental Conditions

Working temperature	-40 °F to 180 °F (-40 °C to 82 °C)
Storage temperature	-40 °F to 230 °F (-40 °C to 110 °C)
Media temperature	Silicon oil filling: -40 °F to 248 °F (-40 °C to 120 °C)
Working humidity	5-100% RH at 104 °F
Protection class	IP67

Power Supply

Standard/flame proof	10.5-55 VDC
HART protocol	16.5-55 VDC, communication load resistance 250 Ω
Load resistance	0-2119 Ω for working condition, 250- 600 Ω for HART protocol
Transmission distance	<1000 m
Power consumption	≤500 mW at 24 VDC, 20.8 mA

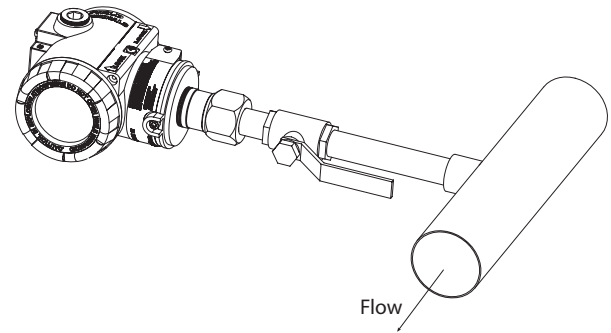
Measuring Range and Limit

Nominal value	Smallest calibrated span	Lower range limit (LRL)	Upper range limit (URL)	Overload limit
160.746 w.c. (40 kPa)	8.03 w.c. (2 kPa)	-160.74 w.c. (-40 kPa)	160.74 w.c. (40 kPa)	145 psi (1 MPa)
1004.66 w.c. (250 kPa)	50.23 w.c. (12.5 kPa)	-401.86 w.c. (-100 kPa)	401.86 w.c.(100 kPa)	580.15 psi (4 MPa)
145 psi (1 MPa)	200.93 w.c. (50 kPa)	-401.86 w.c. (-100 kPa)	401.86 w.c. (100 kPa)	870.22 psi (6 MPa)
435.11 psi (3 MPa)	602.79 w.c. (150 kPa)	-14.50 psi (-0.1 MPa)	14.50 psi (0.1 MPa)	2175.57 psi (15 MPa)
1450.38 psi (10 MPa)	2009.32 w.c. (500 kPa)	-14.50 psi (-0.1 MPa)	14.50 psi (0.1 MPa)	2900.75 psi (20 MPa)
5801.51 psi (40 MPa)	725.189 psi (5 MPa)	-14.50 psi (-0.1 MPa)	-14.50 psi (0.1 MPa)	11603 psi (80 MPa)

Installation

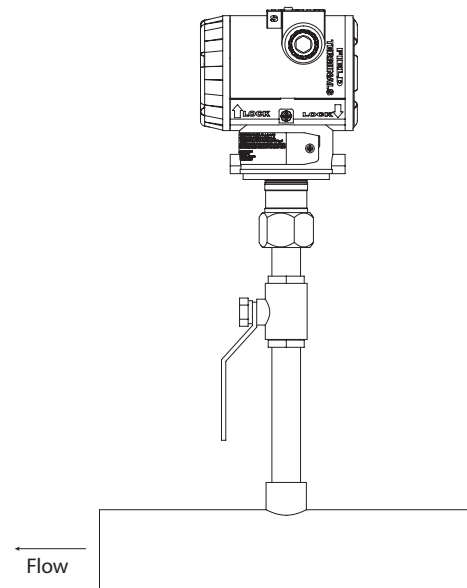
Mounting in liquid applications

- Place taps to the side of the line.
- Mount beside or below the taps.
- Mount the transmitter so the drain/vent valves are oriented upward.



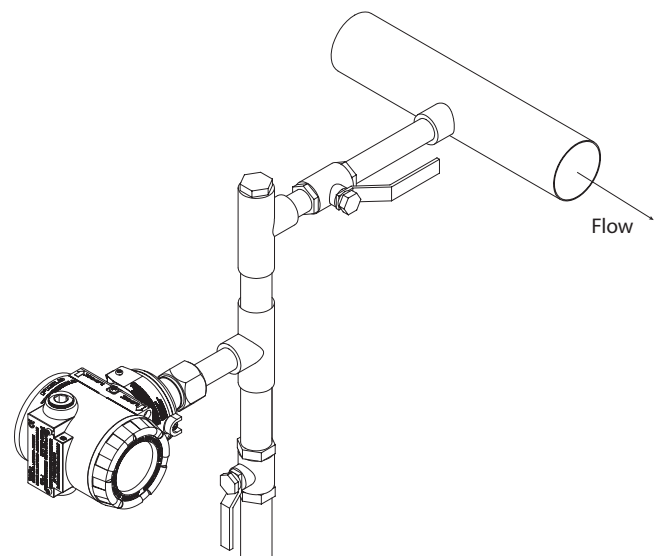
Mounting in gas applications

- Place taps in the top or side of the line
- Mount beside or above the taps



Mounting in steam applications

- Place taps to the side of the line.
- Mount beside or below the taps.
- Fill impulse lines with water.



Model Chart

Example	Tek-Bar 3120B-G	3	WP	1	HC	1	BA	Tek-Bar 3120B-G-3-WP-1-HC-1-BA
Series	Tek-Bar 3120B-G							Single Pressure Transmitter
Range Options		1						0-5.8 psig
		2						0-36 psig
		3						0-145 psig
		4						0-435 psig
		5						0-1450 psig
		6						0-5800 psig
Approval Rating			WP					General Purpose NEMA 4X/IP66
Process Connections				1 X				½" NPT Female Diaphragm Seal
Diaphragm Material					HC			Hastelloy C
Electrical Connections						1		½" NPT Female
Options							CC	Custom Calibration with 5 point Calibration Certificate
							FC	Factory Configuration, No Certificate
							OP	High Over Pressure, 3600 psi (Ranges 1 - 5)
							BA	Stainless Steel Bracket (Flat type) with SST Bolts
							TAG	Custom Etching of the Name Plate (Must specify on P.O.)

Popular Models

Model Number	Description
3120B-G-1-WP-1-HC-1	GP Pressure Transmitter, 0-5.8 psig, LCD
3120B-G-2-WP-1-HC-1	GP Pressure Transmitter, 0-36 psig, LCD
3120B-G-3-WP-1-HC-1	GP Pressure Transmitter, 0-145 psig, LCD
3120B-G-4-WP-1-HC-1	GP Pressure Transmitter, 0-435 psig, LCD
3120B-G-5-WP-1-HC-1	GP Pressure Transmitter, 0-1450 psig, LCD
3120B-G-6-WP-1-HC-1	GP Pressure Transmitter, 0-5800 psig, LCD

Customer Service and Support



● **CONTROLFLUID**
Cra 21 No 166 - 43
Bogota, Colombia
Tel: 57-1-475 2829
www.controlfluid.co
director@controlfluid.co

TEKMATION LLC reserves the right to change the designs and/or materials of its products without notice. The contents of this publication are the property of TEKMATON and cannot be reproduced by any other party without written permission. All rights reserved. Copyright © 2016 TEKMATON LLC
TEKMATION LLC
DOC # TEKA/K180111/TEK-BAR/09



www.tek-trol.com

Tek-Trol is a fully owned subsidiary of TEKMATON LLC. We offer our customers a comprehensive range of products and solutions for process, power, and oil and gas industries. Tek-Trol provides process measurement and control products for Flow, Level, Temperature, and Pressure Measurement, Control Valves and Analyzer systems. We are present in 15 locations globally and are known for our knowledge, innovative solutions, reliable products, and global presence.

Tek-Trol LLC

796 Tek Drive Crystal Lake, IL 60014 USA
Tel: +1 847 857 6076, +1 847 655 7428 Fax: +1 847 655 6147
Email: tektrol@tek-trol.com
www.tek-trol.com