

Series EA Automated True Union Valves

Low Cost, Full Featured Plastic Valve And Actuator – Sizes From 1/2" to 2"
PVC Construction With EPDM Seals



Valve Features

- All plastic, will never rust or corrode
- True union design
- Pressure rating to 225 psi
- EPDM seals
- PTFE seats
- Full port design
- Fully serviceable
- Double o-ring stem seal

Actuator Features

- All-plastic enclosure
- 3-second cycle time
- Thermal overload protection
- Permanently lubricated gear train
- Nema 4X housing
- Actuator brake for full open/close
- No adjustments needed

Low Cost Automation

The EA electrically actuated true union ball valve is the perfect answer to cost sensitive, automated valve applications that can't get by with less than a full featured valve and actuator combination. Other low cost automated valves use a stripped down actuator with a non-repairable, "throwaway" type valve. The EA features a fully serviceable *true union ball valve* for long reliable service.

Corrosion Resistant Valve

The all-plastic construction of the EA true union ball valve means there will never be a problem with rust or corrosion. The valve will never stick, jam or fail to operate like a metal valve might because of corrosion.

Built to Last

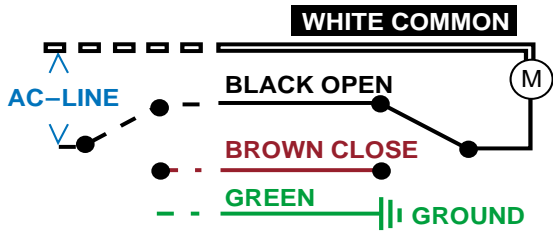
EA Series valves feature a rugged, 110 VAC electric actuator with an output torque of 140 in-lb. A built-in, automatic resetting thermal overload protector prevents motor burnout. The 25% duty cycle motor drives the valve through a permanently lubricated, rugged gear train. There is never a need to set, adjust or fool with internal actuator adjustments, which are set for the life of the actuator at the factory. All internal components are sealed inside a rugged, all-plastic Nema 4X housing.

True Union Ball Valve

Rated at 225 psi, the valve features a true union design for easy removal from the piping system for maintenance. There is never a need to disturb piping connections. EPDM seals and Teflon seats hold up to the most aggressive of applications. The full port valve design insures maximum flow rates with low pressure drops. This rugged, fully serviceable valve will provide years of reliable service in the most demanding of applications.

Technical Information

Wiring Diagram

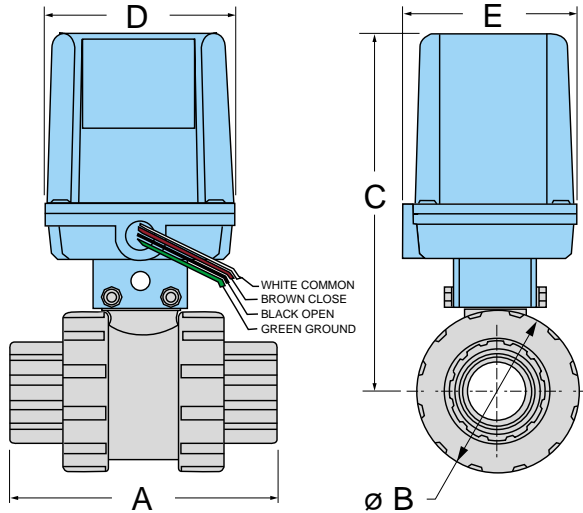


Actuator Specifications

Torque Output:	140 in-lb
Housing:	Polypropylene plastic
Duty Cycle:	25%
Cycle Time:	3 seconds
Voltage:	110 VAC
Enclosure:	NEMA 4X
Operation:	Unidirectional
Thermal Overload Protection:	Standard
Mechanical Brake:	Standard
Gear Train:	Permanently lubricated
Locked Rotor Current:	2.8 amp
Conduit Connection:	1/2" NPT

Valve Specifications

Valve Type:	True union
Material of Construction:	PVC
Seals:	EPDM
Seats:	PTFE
End Connections:	Socket or threaded
Sizes:	1/2", 3/4", 1", 1-1/2" and 2"
Pressure Rating:	225 psi @ 70 F, non-shock
Design:	Full port



Dimensions - Inches/Millimeters

Size	Part Number	A	B	C	D	E	Weight (lb/kg)
1/2"	EATB1050STE	4.63 / 118	2.25 / 57	8.40 / 213	4.88 / 124	4.13 / 105	6.8 / 3.1
3/4"	EATB1075STE	4.75 / 121	2.63 / 67	8.60 / 218			7.1 / 3.2
1"	EATB1100STE	5.25 / 133	3.00 / 76	9.10 / 231			8.1 / 3.7
1-1/2"	EATB1150STE	6.75 / 171	4.00 / 102	9.50 / 241			9.8 / 4.5
2"	EATB1200STE	8.00 / 203	4.75 / 121	10.10 / 257			

C_v Factors

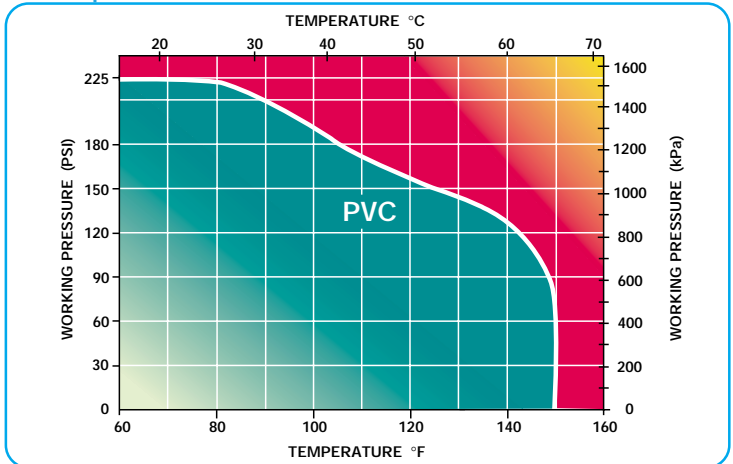
Size	Value
1/2"	8.0
3/4"	15.0
1"	29.0
1-1/4"	75.0
1-1/2"	90.0
2"	140.0

Pressure Loss Calculation Formula

$$\Delta P = \left[\frac{Q}{C_v} \right]^2$$

ΔP = Pressure drop
 Q = Flow in GPM
 C_v = Flow coefficient

Temperature/Pressure Chart



Hayward Industrial Products, Inc.

One Hayward Industrial Drive, Clemmons, NC 27012
 Tel: 1-888-429-4635 (1-888-HAYINDL) • Fax: 1-888-778-8410
 E-mail: industrial@haywardnet.com
 Web-Site: <http://www.haywardindustrial.com>

Hayward Industrial Products Canada Inc.

2880 Plymouth Drive, Oakville, Ontario L6H 5R4
 Tel: 905 829-2880 • Fax: 905 829-3636

Hayward Industrial Products (UK) Ltd.

Unit 2, Crowngate, Wyncolls Road, Colchester, Essex CO4 4HT
 Tel: 441-206-854454 • Fax 441-206-851240